

Power Resistors

Series HPS 150

Non-Inductive 150 W Power Resistor according to VDE 0160 and UL 94-V0

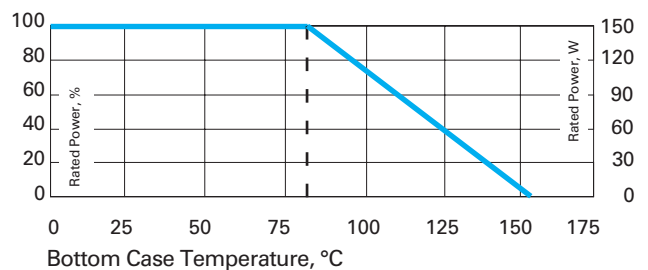
EBG's HPS series is rated at 150 W mounted to a heat sink. The increased height of the package makes this resistor ideal in applications where creeping distance must meet VDE 0160 and UL 094-V0 standards.

General Characteristics

- 150 W at 85°C
- Non-Inductive Design
- Easy mounting using already existing infrastructure

Specifications

- Resistance range: 1 Ω to 1 MΩ (other values upon request)
- Tolerance: ±1, ±2, ±5, ±10%
- Temperature coefficient: ±250 ppm/°C (at +105°C ref. to +25°C), better TCR on request
- Power rating at 85°C: 150 W (others upon request)
- Max. working voltage: 500 V (up to 1,000 V upon special request = "S"-version)
- Voltage proof: 5,000 V DC, 3,000 V AC
- Insulation resistance: 10 GΩ Min. at 1 kV DC
- Heat resistance to cooling plate: <0.47 °K/W
- Capacitance/mass: 45 pF (typical)
- Working temp. range: -55°C to +155°C
- Mounting - max. torque for base plate (static): 1.5 Nm M5 screws
- Mounting - max. torque for contacts (static): 1.3 Nm M4 screws
- Housing material acc. to UL94-V0
- Standard storage conditions: 0 to 85°C at 80% RH max. for min. 12 months. For different conditions please contact your local EBG representative!
- Pulse load rating: please see our website ([www.ebg-at.com/...](http://www.ebg-at.com/)) for sample pulse load information. For details please contact your local EBG representative!



Derating (thermal resistance): 2.14 W/°K (0.47°K/W).

Best results can be obtained by using a thermal transfer compound with a heat conductivity of better than 1W/mK. The flatness of the cooling plate must be better than 0.05mm overall. The roughness of the surface should not exceed 6.4µm.

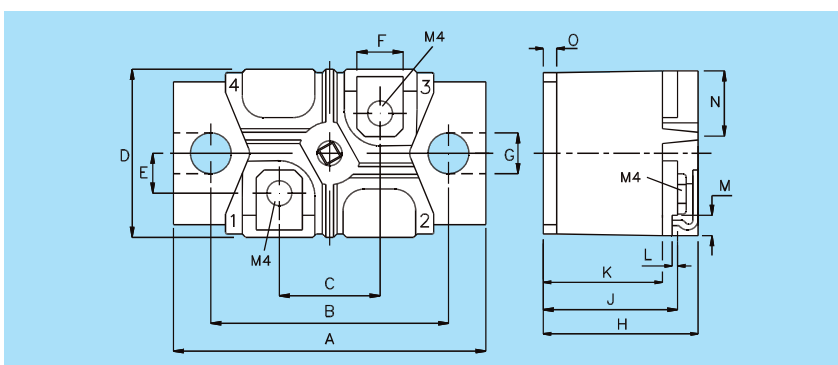
Air distance contact to contact:

Contact to contact: > 9.2 mm
 Contact to base plate: > 13.2 mm
 (with mounting screw M5 and washer)

Creeping distance:

Contact to base plate: 17.0 mm
 Contact to contact:
 - without PT-screw > 22.8 mm
 - with PT-screw > 20.2 mm

Configuration:



Dim.	Millimeter		Inches	
	Min.	Max.	Min.	Max.
A	44.7	46.5	1.760	1.831
B	34.7	35.3	1.366	1.390
C	14.8	15.2	0.583	0.598
D	--	26.5	--	1.043
E	6.25	6.45	0.246	0.254
F	7.4	7.8	0.291	0.307
G	5.9	6.1	0.232	0.240
H	20.9	21.3	0.823	0.839
J	18.0	18.4	0.709	0.724
K	16.0	16.4	0.630	0.646
L	0.77	0.83	0.0303	0.0326
M	2.9	3.1	0.114	0.122
N	9.4	9.8	0.370	0.386
O	1.9	2.1	0.075	0.083

The above spec. sheet features our standard products. For further options, please contact our local EBG representative or contact us directly. For updated information, please visit our website!